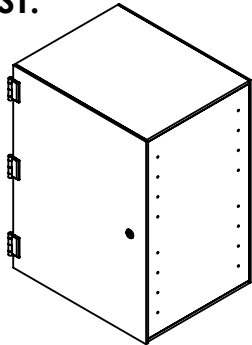


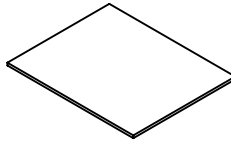
ASSEMBLY INSTRUCTIONS

READ ALL INSTRUCTIONS BEFORE YOU BEGIN. PLEASE FOLLOW THE STEPS IN ORDER.

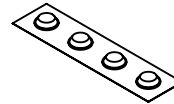
PARTS LIST:



**Acrylic Locking Cabinet
(1 pc)**



**Acrylic Shelves
(4 pcs)
Item # 15303
(5 pcs)
Item # 15301/15302**



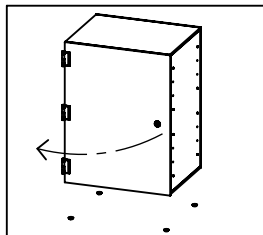
**Bumpers
(4 pcs)**



**Shelf Pins
(16 pcs)
Item # 15303
(20 pcs)
Item # 15301/15302**

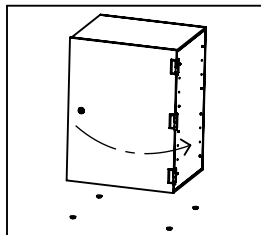
***NO TOOLS REQUIRED**

STEP 1: The acrylic locking cabinet door can open to the left or the right based on how the unit is oriented. See the images below for reference. Apply the Bumpers to the acrylic locking cabinet's bottom panel with the adhesive side touching the cabinet. Bumpers should be positioned approximately 1/4" from each edge in all four corners of the bottom panel.

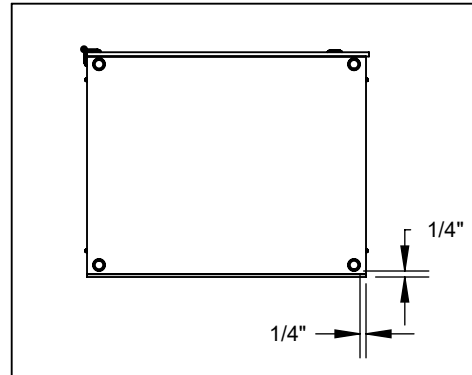


If Bumpers are placed on the bottom face of the Acrylic Box with the hinges on the left of the unit, the door will open from right to left.

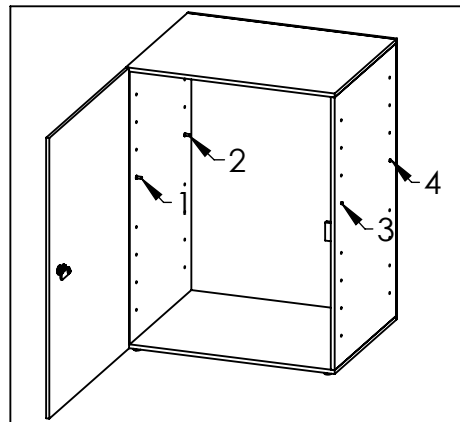
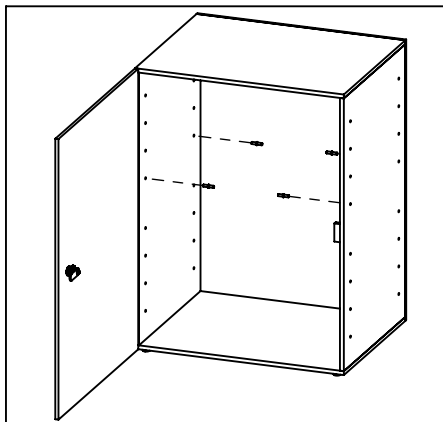
OR



If the Acrylic Box is flipped and Bumpers are applied with hinges on the right of the unit, the door will open from left to right.



STEP 2: Determine the desired shelf position. From inside the cabinet, locate the hole positions in both side panels and insert the shelf pins. 4 shelf pins are required for each shelf and must be level to ensure the shelves are supported.

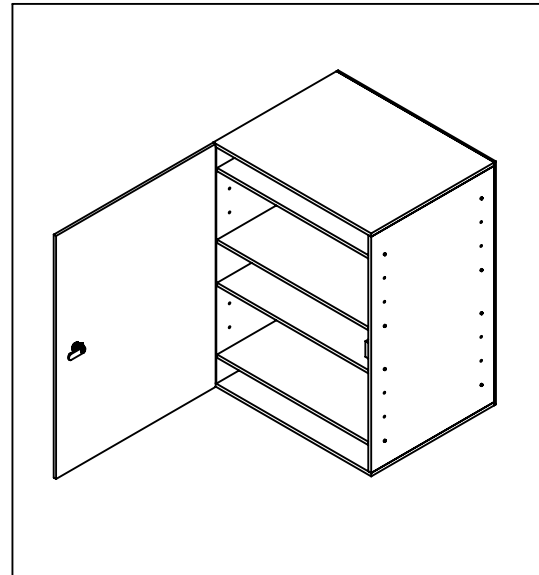
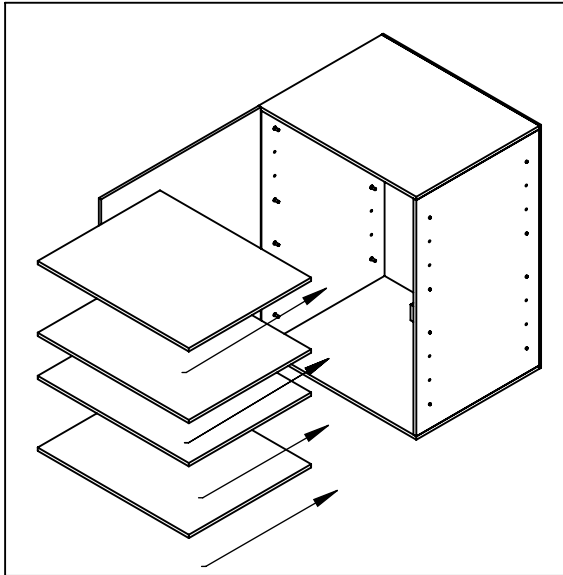


ASSEMBLY INSTRUCTIONS

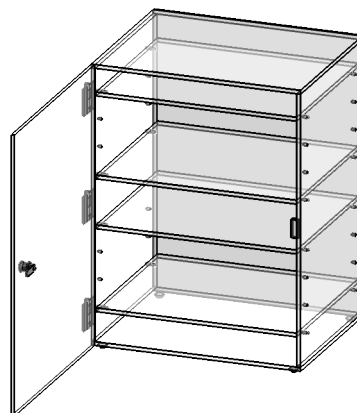
READ ALL INSTRUCTIONS BEFORE YOU BEGIN. PLEASE FOLLOW THE STEPS IN ORDER.

STEP 3: Repeat STEP 2 for each desired shelf location.

STEP 4: Insert shelves into unit, each Shelf will sit on top of the shelf pins inserted in STEP 2 and STEP 3.



ASSEMBLED ACRYLIC LOCKING CABINET WITH ADJUSTABLE SHELVES



Note: Shelves can be repositioned after assembled.